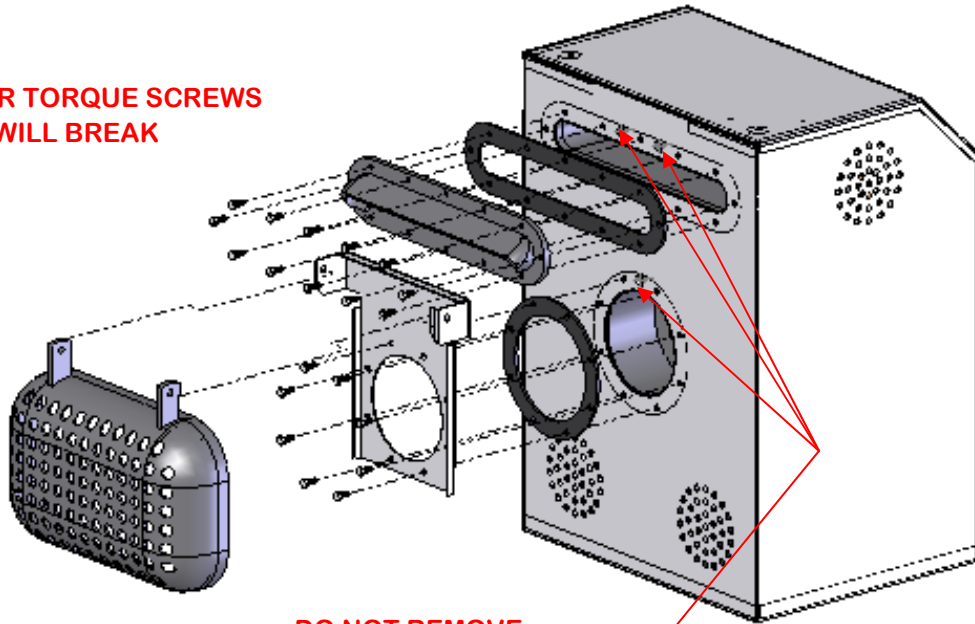


KEWANEE WASHER MODEL K99 INSTALLATION

**DO NOT OVER TORQUE SCREWS
THEY WILL BREAK**



**DO NOT REMOVE
3 SCREWS HOLD INNER
HSG DURING INSTALLATION**

1. Use metal template packed with washing unit to locate mounting holes in sink. Tape template in place on inside of sink while marking holes.
2. Drill 20 - 7/32" diameter screw holes; cut out 4-1/8" diameter inlet hole, and 10" x 1-1/4" outlet hole.
3. Raise water guard by moving sidewise 1/4" against spring, swing guard up from bottom.
4. Remove upper lip and pump guard mounting plate from washing unit by carefully removing 20 screws.
Caution: DO NOT DAMAGE OR REMOVE GASKETS THEY ARE CEMENTED TO THE WASHER UNIT.
5. With unit on outside of sink, line up the assembly with holes in sink. Carefully reattach upper lip and pump guard. Over tightening screws will cause leakage. **Note:** Use permatex furnished with the washing unit on screw threads to insure water-tight seal.
6. Lower water guard by pulling away from unit and then pushing bottom down.
7. Plug unit into protected power source.
8. Grease impeller shaft daily.

